

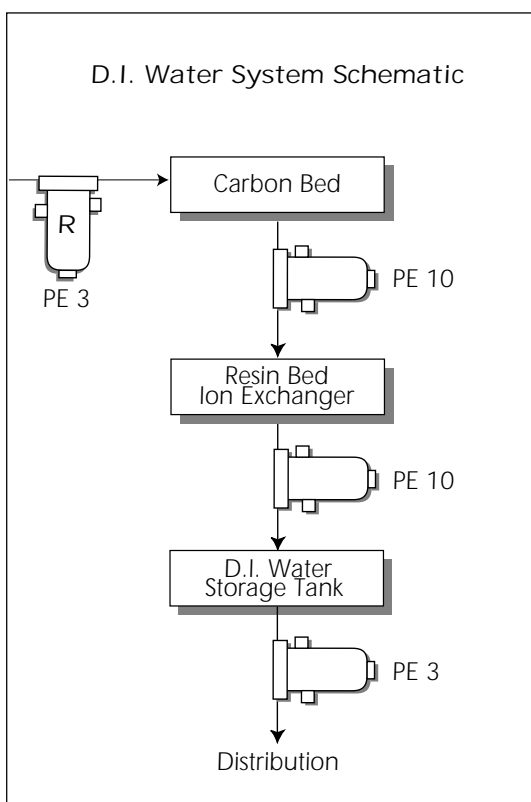
Extra High Capacity Multi-Bag Filters

(For more information on the Multi-Bag Filters, see page 36)

These multi-bag filters offer a wide range of flow capacities and contaminant holding capabilities. They contain from 2 to 23 baskets, all the same size. They are fitted with perforated stainless steel baskets designed to hold disposable or cleanable filter bags. Industry standard size bags are used: the standard 30-inch baskets take bag size 2, and optional 15-inch baskets take size 1. The standard pressure rating for all models is 150 psi. All housings can be supplied with a ASME code stamp, if required. For filter flows to 2300 gpm with a 150 psi rated housing, use the pre-selected ordering code listed on the next page.



Typical Application



Water Flow Rates with 10m Filter Bags

Model	GPM
16	200
18	300
22	400
24	600
30	800
36	1200
42	1700
48	2300

R Pre-Selected Multi-Bag Filters

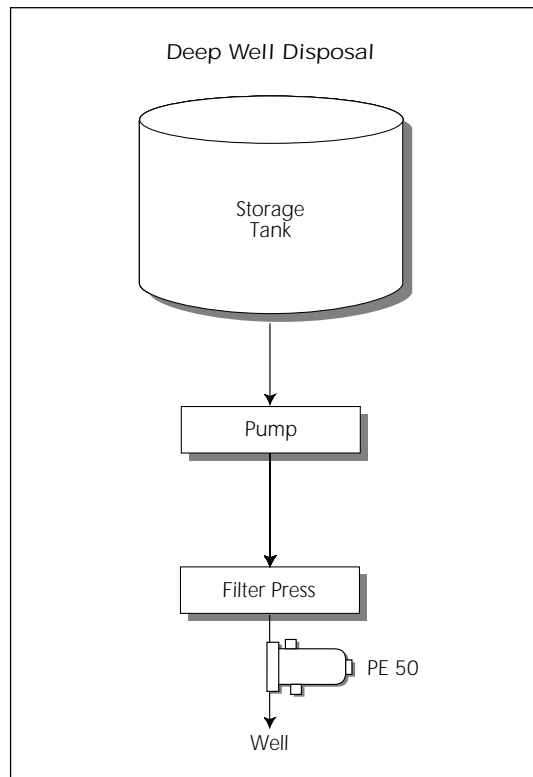
Ordering Code

Model Selection (30-inch deep baskets)

Model No. (and dia. in inches)	Number of baskets	Straining, filtering area, ft2	Standard pipe sizes available, in.	Nominal flow rate, gpm
16	2	8.8	2, 3, 4	200
18	3	13.2	2, 3, 4	300
22	4	17.6	3, 4, 6	400
24	6	26.4	3, 4, 6	600
30	8	35.2	4, 6, 8	800
36	12	52.8	6, 8, 10	1200
42	17	74.8	8, 10, 12	1700
48	23	101.2	8, 10, 12	2300

Pre-selected Multi-Bag Filters Ordering Code

Typical Application



Example: 24 - 30 - 4F - 1 - 150 - S - E - N - PB - N

MODEL NO.

16 = **16** 30 = **30**
 18 = **18** 36 = **36**
 22 = **22** 42 = **42**
 24 = **24** 48 = **48**

BASKET DEPTH

30-in. (std) = **30**

PIPE SIZE (FLANGED¹)

2-in. (Models 16, 18, 22, 24) = **2F**
 3-in. (Models 16, 18, 22, 24, 30, 36) = **3F**
 4-in. (Models 16, 18, 22, 24, 30, 36) = **4F**
 6-in. (Models 22, 24, 30, 36) = **6F**
 8-in. (Models 30, 36, 42, 48) = **8F**
 10-in. (Models 36, 42, 48) = **10F**
 12-in. (Model 42, 48) = **12F**

OUTLET STYLE

In-line, bottom (std) = **1**

Options

ASME CODE STAMP³

N = None
C = Code

BASKET, TYPE

PB = Filter bag basket, 9/64 perforations⁴

BASKET SEAL

N = No seal

COVER SEAL

E = Ethylene Propylene

HOUSING MATERIAL

S = 304 stainless steel

PRESSURE RATING²

150 = 150 psi (flanged)

1. Flanges provided with the housing match the pressure rating of the vessel. Housings rated 150 psi have 150 class flanges. Housings rated 300 psi have 300 class flanges. Other styles and classes available. ANSI B16.5 Pressure-Temperature rating tables determine flange class for ASME code housings. Consult factory.
2. Higher pressure ratings available. Consult factory.
3. Filter bags are specified separately. See pages 120-130.

R New for Sanitary Service-Bag Filters for Fine Filtration

New multilayer, polyester and polypropylene felt filter bags make possible filtration to 1 micron

Rosedale sanitary service filters conform to USDA/3A dairy standards with housings of polished 304 stainless steel. They're rated for 200 psi pressure and have quick-release clamp-type covers. Outlets and inlets have sanitary flange connections. All internal surfaces can be visually inspected (and easily cleaned in place).

The great economy of these filters is in their use of filter bags instead of the more costly filter cartridges. Made of a new filtering media, they carry nominal retention ratings of 1, 10 and 12 microns. They have been evaluated by the Multi-Pass Test Method (OSU-F2). See pages 102-103 for complete information. (Other bags, including some made of monofilament meshes rated as fine as 10 microns, are also available. See pages 126-128.)

The contaminant-carrying capacity of these bags is equal to that of cartridges of the same flow capacity. Because the filter bags are supported by perforated stainless steel baskets, there is no filter collapse, flow fatigue, or filter end-load problems. Bags are removed more easily than cartridges, and bags hold the contaminant inside, not outside where it can wash off into the system during replacement. Some filter bags can be safely used at temperatures to 325°F.

Applications for these filters include dairy, beverage, vegetable oils, and other foods and pharmaceuticals. They also make excellent pre-filters upstream of ultra-fine cartridge and membrane filters removing bacteria, etc.



How To Order

Build an ordering code as shown in this example

Example: Housing Option
SAN - 4-12 - 1-1/2 - T

SANITARY BAG FILTER: SAN

HOUSING SIZE
 Model 4 = **4-12**
 Model 8 = **8-30**

CONNECTION SIZE
 1-in. = **1**
 1-1/2-in = **1-1/2**
 2-in. = **2**
 3-in. = **3**

COVER GASKET
 Buna N = **B**
 Viton® = **V**
 Teflon® = **T**

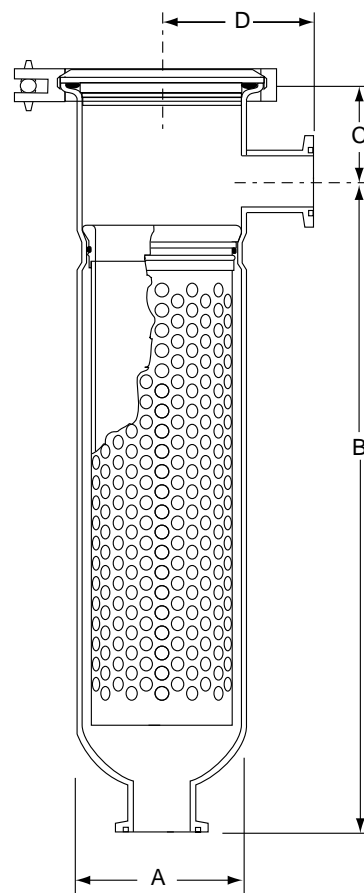
Order filter bags separately.
 See pages 120-130.

Construction

Housings are of 304 stainless steel, polished inside and out (unless ordered otherwise). The bags are supported by stainless steel baskets that provide 50% open area and lift out easily. The housing is then completely open with all surfaces visible and cleanable.

The filter bags have stainless steel rings sewn in their openings. Their close fit inside the housing effectively seals against bypass of liquid. They have cloth handles to assist in removal.

Dimensions (IN)



Dimensions (IN)

Model	Connection Size	A	B	C	D
4	1	4.5	15.5	2	5
	1.5	4.5	15.5	2	5
	2	4.5	15.5	2	5
	2.5	4.5	16.0	2.5	6
	3	4.5	16.0	2.5	6
8	1	8.6	38.0	3.6	7.1
	1.5	8.6	38.0	3.6	7.1
	2	8.6	38.0	3.6	7.1
	3	8.6	38.0	3.6	8.1