

PULS

DIMENSION CD-Series

CD5.241, CD5.241-S1

DC/DC Converter; 24V, 5A



DC/DC CONVERTER

- Wide Range DC Input (18-32.4Vdc)
- Isolated 24Vdc Output
- Efficiency up to 90.3%
- Width only 32mm
- 20% Output Power Reserves
- Full Output Power Between -25°C and +60°C
- Soft Start Function Included
- Minimal Inrush Current Surge
- Reverse Input Polarity Protection
- DC-OK and Input-low Relay Contact (CD5.241-S1)
- 3 Year Warranty

1. GENERAL DESCRIPTION

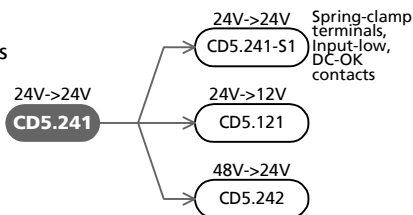
The Dimension CD5-series offer DIN-rail DC/DC converters in the 120W output power range in a very compact housing.

These DC/DC converters are allowed to run from a battery, can also be used to refresh and stabilize the 24Vdc on the end of a long cable or to isolate specific loads from the 24V bus voltage.

The CD5.241 includes all the essential basic functions while the CD5.241-S1 is equipped with quick-connect spring clamp terminals, a DC-OK-contact which monitors the output and an input-low-relay-contact. Both devices have a power reserve of 20% and this extra power can be used continuously up to +45°C.

CD-Series

Related products



2. SHORT-FORM DATA

Output voltage	DC 24V	
Adjustment range	23 - 28V	
Output current	5 - 4.3A	Ambient <60°C
	6 - 5.1A	Ambient <45°C
Output power	120W	Ambient <60°C
	144W	Ambient <45°C
Output ripple	< 50mVpp	20Hz to 20MHz
Input voltage	DC 24V	18 to 32.4Vdc (14 to 18Vdc with derating)
Input current	typ. 5.5A	At 24Vdc input
Input Inrush current	typ. 1.2A peak	
Efficiency	typ. 90.3%	At 24Vdc input
Losses	typ. 12.9W	At 24Vdc input
Hold-up time	typ. 6ms	At 24Vdc input
Temperature range	-25°C to +70°C	Operational
Derating	3W/°C	+60 to +70°C
Dimensions	32x124x102mm	WxHxD

3. ORDER NUMBERS

DC/DC Converter	CD5.241	Standard unit
	CD5.241-S1	Unit with signals and spring-clamp terminals
Accessories	ZM1.WALL	Wall mount bracket
	ZM11.SIDE	Side mount bracket
	YRM2.DIODE	Redundancy module
	YR2.DIODE	Decoupling module

4. MARKINGS



PULS

DIMENSION CD-Series

CD5.241, CD5.241-S1

DC/DC Converter; 24V, 5A

INDEX PAGE

1. General Description	1
2. Short-form Data	1
3. Order Numbers	1
4. Markings	1
5. Input Voltage	3
6. Soft-start and Input Inrush Current Surge	4
7. Output	5
8. Hold-up Time	6
9. Efficiency and Power Losses	7
10. Functional Diagram	8
11. Reliability	8
12. Front Side and User Elements	9
13. Terminals and Wiring	9
14. DC-OK Relay Contact (CD5.241-S1)	10
15. Input-low Relay Contact (CD5.241-S1)	10
16. EMC	11
17. Environment	12
18. Protection Features	12
19. Safety	13
20. Dielectric Strength	13
21. Approvals	14

INDEX PAGE

22. Fulfilled Standards	14
23. Used Substances	14
24. Physical Dimensions and Weight	15
25. Installation and Operation Instructions	15
26. Accessory	16
27. Application Notes	17
27.1. Peak Current Capability	17
27.2. Back-feeding Loads	17
27.3. Inductive and Capacitive Loads	17
27.4. Output Circuit Breakers	18
27.5. Series Operation	19
27.6. Parallel Use to Increase Output Power ..	19
27.7. Daisy Chaining of Outputs	19
27.8. Parallel Use for 1+1 Redundancy	20
27.9. Charging of Batteries	20
27.10. Requirements for the Supplying Source	21
27.11. External Input Protection	21
27.12. Use in a Tightly Sealed Enclosure	21
27.13. Mounting Orientations	22

INTENDED USE

The DC/DC converter shall only be installed and put into operation by qualified personnel.

This DC/DC converter is designed for installation in an enclosure and is intended for the general use, such as in industrial control, office, communication, and instrumentation equipment. Do not use this device in aircraft, trains and nuclear equipment, where malfunctioning of the DC/DC converter may cause severe personal injury or threaten human life.

TERMINOLOGY AND ABBREVIATIONS

PE and \oplus symbol	PE is the abbreviation for Protective Earth and has the same meaning as the symbol \oplus .
Earth, Ground	This document uses the term "earth" which is the same as the U.S. term "ground".
T.b.d.	To be defined, value or description will follow later.
DC 24V	A figure displayed with the AC or DC before the value represents a nominal voltage with standard tolerances included. E.g.: DC 12V describes a 12V battery regardless whether it is full (13.7V) or flat (10V)
24Vac	A figure with the unit (Vdc) at the end is a momentary figure without any additional tolerances included.

DISCLAIMER

The information presented in this document is believed to be accurate and reliable and may change without notice.

Some parts of this unit are patent by PULS (US patent No 091662,063, Des. 424,529, ...).

No part of this document may be reproduced or utilized in any form without permission in writing from PULS GmbH.

PULS

DIMENSION CD-Series

CD5.241, CD5.241-S1

DC/DC Converter; 24V, 5A

5. INPUT VOLTAGE

Input	nom.	DC 24V	
Input voltage range	nom.	18.0-32.4Vdc	Continuous operation
		14.0-18.0Vdc	Max. 60 seconds or with de-rating see Fig. 5-2
	max.	36.0Vdc	Absolute maximum continuous input voltage with no damage to the DC/DC converter.
Allowed voltage between input and earth (ground)	max.	60Vdc or 42.4Vac	
Allowed input ripple voltage	max.	5Vpp	47Hz-40kHz, the momentary input voltage must always be within the specified limits.
Turn-on voltage	typ.	17.5Vdc	Steady-state value, see Fig. 5-1
Shut-down voltage	typ.	14.0Vdc	Steady-state value, see Fig. 5-1
	typ.	35Vdc	Steady-state value, see Fig. 5-1
Input current	typ.	5.5A	At 24Vdc input and output 24V, 5A, see Fig. 5-4
Start-up delay	typ.	650ms	See Fig. 5-3
Rise time	typ.	80ms	0mF, 24V, constant current load 5A, see Fig. 5-3
	typ.	150ms	5mF, 24V, constant current load 5A, see Fig. 5-3
Turn-on overshoot	max.	500mV	See Fig. 5-3
Input capacitance	typ.	3 000µF	

External capacitors on the input voltage bus are allowed without any limitations.

Fig. 5-1 Input voltage range

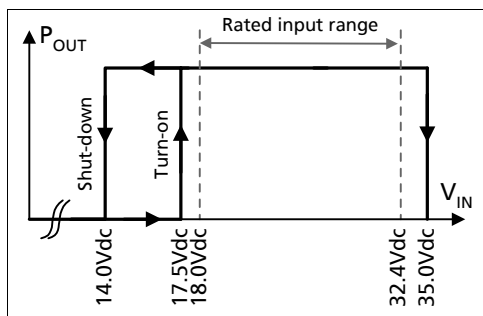


Fig. 5-2 Allowable output current below 18V input voltage

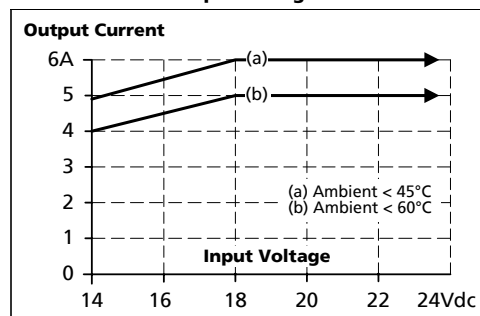


Fig. 5-3 Turn-on behavior, definitions

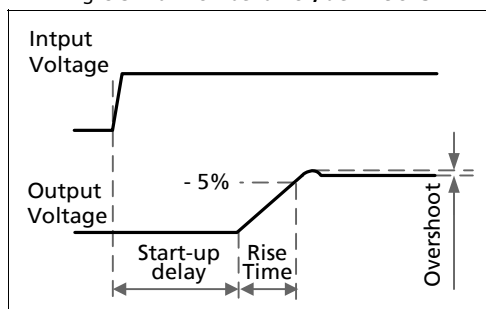
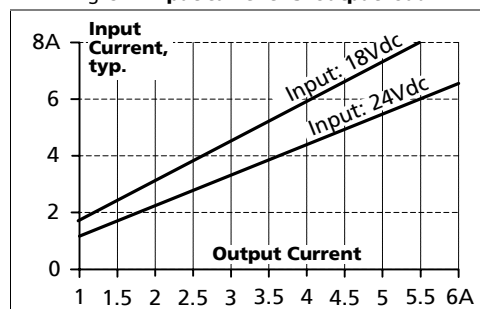


Fig. 5-4 Input current vs. output load



PULS

DIMENSION CD-Series

CD5.241, CD5.241-S1

DC/DC Converter; 24V, 5A

6. SOFT-START AND INPUT INRUSH CURRENT SURGE

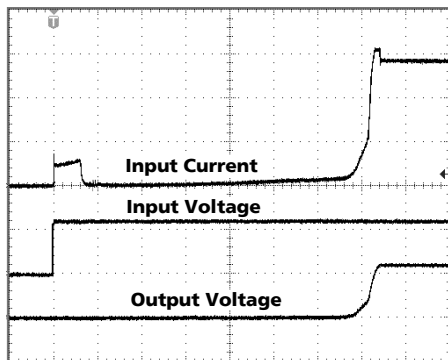
Inrush current limitation

An active inrush limitation circuit (inrush limiting resistor which is bypassed by a relay contact) limits the input inrush current after turn-on of the input voltage.

The charging current into EMI suppression capacitors is disregarded in the first microseconds after switch-on.

Input 24Vdc			
Inrush current	max.	1.6A _{peak}	-25°C to +70°C
	typ.	1.2A _{peak}	-25°C to +70°C
Inrush energy	typ.	negligible	-25°C to +70°C

Fig. 6-1 Input inrush current, typical behavior



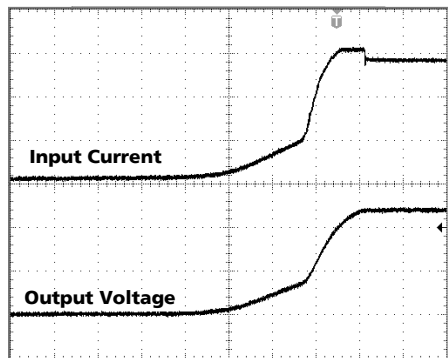
Input: 24Vdc
Output: 24Vdc, 5A, constant current load
Ambient: 25°C

Upper curve: Input current 2A / DIV
Middle curve: Input voltage 20V / DIV
Lower curve: Output voltage 20V / DIV
Time scale: 100ms / DIV

Soft-start function:

After the DC/DC converter is turned on, the internal output current rises slowly to its nominal value. This method charges the output capacitors (internal and external capacitors) slowly and avoids high input currents during turn-on. High input currents can produce a high voltage drop on the input wiring (especially with long and thin cables) which reduces the terminal voltage on the DC/DC converter. If the terminal voltage is below the shut-down voltage, the DC/DC converter will turn-off and will make a new start-up attempt. This effect is avoided with the integrated soft-start function. Please note, that this function increases the rise time of the output voltage by a small amount.

Fig. 6-2 Soft-start behavior



Input: 24Vdc
Output: 24Vdc, 5A, constant current load
Ambient: 25°C
No additional external capacitors

Upper curve: Input current 2A / DIV
Lower curve: Output voltage 10V / DIV
Time scale: 20ms / DIV

PULS

DIMENSION CD-Series

CD5.241, CD5.241-S1

DC/DC Converter; 24V, 5A

7. OUTPUT

Output voltage	nom.	24V	
Adjustment range	min.	23-28V	Guaranteed
	max.	30V	At clockwise end position of potentiometer
Factory setting		24.1V	±0.2%, at full load, cold unit
Line regulation	max.	25mV	Input variations between 18 to 32.4Vdc
Load regulation	max.	100mV	CD5.241; static value, 0A → 5A → 0A
	max.	150mV	CD5.241-S1; static value, 0A → 5A → 0A
Ripple and noise voltage	max.	50mVpp	20Hz to 20MHz, 50Ohm
Output capacitance	typ.	2200µF	
Output current	nom.	6A	At 24V, ambient < 45°C, see Fig. 7-1
	nom.	5A	At 24V, ambient < 60°C, see Fig. 7-1
	nom.	5.1A	At 28V, ambient < 45°C, see Fig. 7-1
	nom.	4.3A	At 28V, ambient < 60°C, see Fig. 7-1
Output power	nom.	144W	Ambient < 45°C
	nom.	120W	Ambient < 60°C
Short-circuit current	min.	7A	Load impedance 200mOhm, see Fig. 7-1
	max.	10A	Load impedance 200mOhm, see Fig. 7-1

Fig. 7-1 Output voltage vs. output current, typ. (24Vdc input voltage)

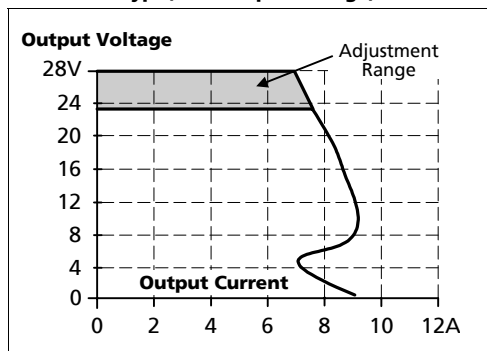
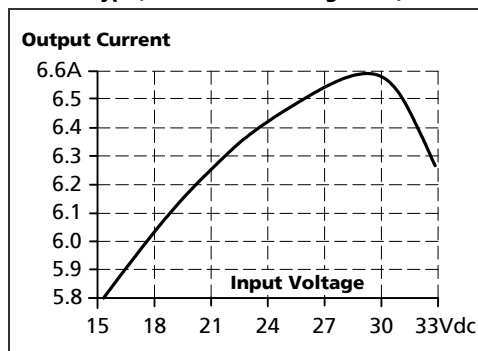


Fig. 7-2 Current limitation vs. input voltage, typ. (23V constant voltage load)



Peak current capability (up to several ms)

The DC/DC converter can deliver a peak current which is higher than the specified short term current. This helps to start current demanding loads or to safely operate subsequent circuit breakers.

The extra current is supplied by the output capacitors inside the DC/DC converter. During this event, the capacitors will be discharged and cause a voltage dip on the output. Detailed curves can be found in chapter 27.1.

Peak current voltage dips	typ.	from 24V to 18V	At 10A for 50ms, resistive load
	typ.	from 24V to 15V	At 20A for 2ms, resistive load
	typ.	from 24V to 11.5V	At 20A for 5ms, resistive load

PULS

DIMENSION CD-Series

CD5.241, CD5.241-S1

DC/DC Converter; 24V, 5A

8. HOLD-UP TIME

The input side of the DC/DC converter is equipped with a bulk capacitor which keeps the output voltage alive for a certain period of time when the input voltage dips or is removed. The bulk capacitor can be discharged by loading the DC/DC converter on the output side or through a load which is parallel to the input. There is no protection in the DC/DC converter which prevents current from flowing back to the input terminals. If prevention is needed, an external diode should be used.

Input 24Vdc			
Hold-up Time	typ.	11.8ms	Input 24Vdc, output: 24Vdc, 2.5A, see Fig. 8-1
	typ.	6ms	Input 24Vdc, output: 24Vdc, 5A, see Fig. 8-1

Fig. 8-1 Hold-up time vs. input voltage

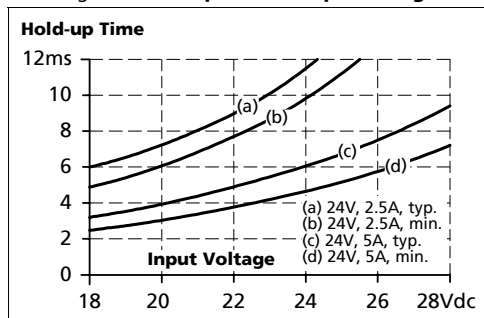


Fig. 8-2 Shut-down test setup

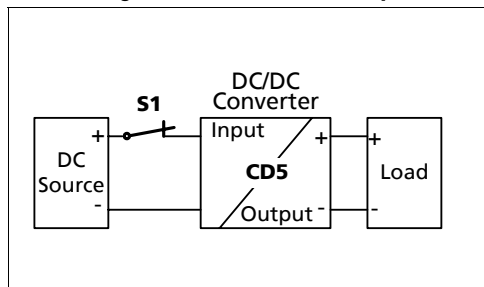
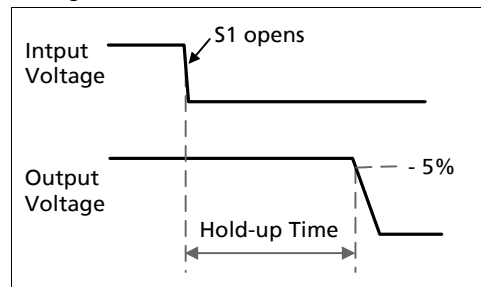


Fig. 8-3 Shut-down behavior, definitions



Note: At no load, the hold-up time can be up to several seconds. The green DC-ok lamp is also on during this time.

PULS

DIMENSION CD-Series

CD5.241, CD5.241-S1

DC/DC Converter; 24V, 5A

9. EFFICIENCY AND POWER LOSSES

Input 24Vdc			
Efficiency	typ.	90.3%	5A, 24V
Power losses	typ.	0.7W	CD5.241 at no output load
		1.1W	CD5.241-S1 at no output load
	typ.	6.2W	2.5A, 24V
	typ.	12.9W	5A, 24V
	typ.	16.3W	6A, 24V

Fig. 9-1 Efficiency vs. output current at 24V

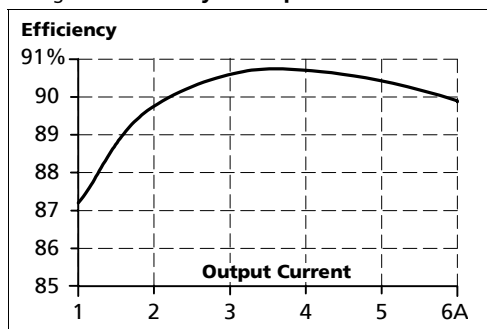


Fig. 9-2 Losses vs. output current at 24V

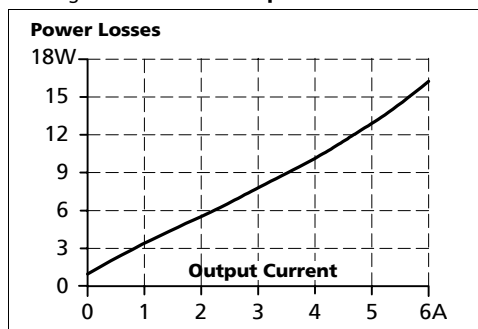


Fig. 9-3 Efficiency vs. input voltage, 24V, 5A

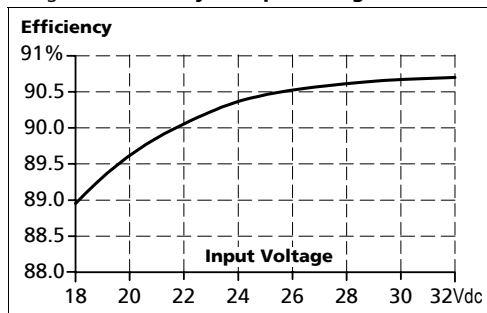
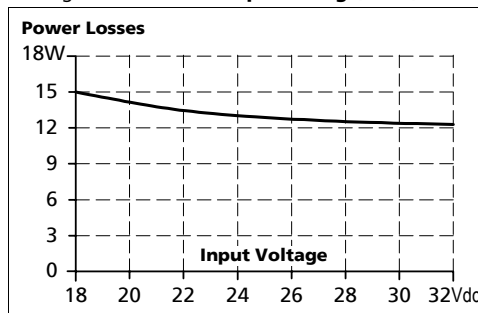


Fig. 9-4 Losses vs. input voltage, 24V, 5A



PULS

DIMENSION CD-Series

CD5.241, CD5.241-S1

DC/DC Converter; 24V, 5A

10. FUNCTIONAL DIAGRAM

Fig. 10-1 Functional diagram CD5.241

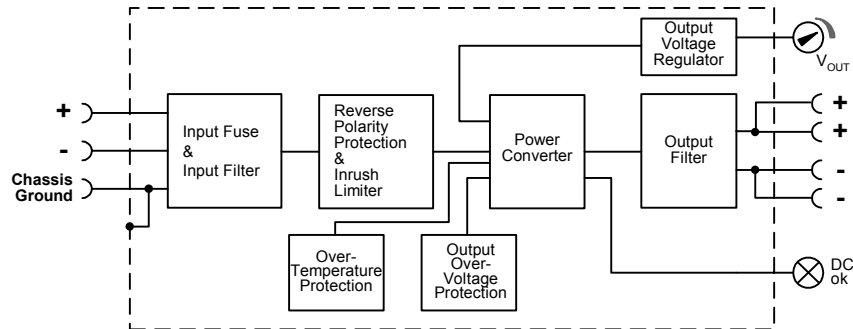
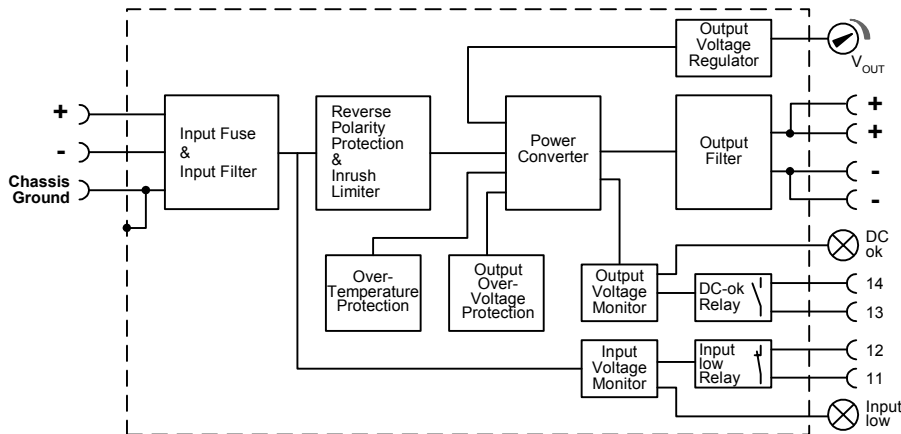


Fig. 10-2 Functional diagram CD5.241-S1



11. RELIABILITY

		CD5.241	CD5.241-S1	
Lifetime expectancy	min.	183 000h	180 000h	40°C, 24V, 2.5A
	min.	65 000h	60 000h	40°C, 24V, 5A
	min.	37 000h	33 000h	40°C, 24V, 6A
	min.	185 000h	169 000h	25°C, 24V, 5A
MTBF SN 29500, IEC 61709		1 178 000h	1 048 000h	40°C, 24V, 5A
		1 932 000h	1 719 000h	25°C, 24V, 5A
MTBF MIL HDBK 217F		625 000h	602 000h	40°C, 24V, 5A, Ground Benign GB40
		838 000h	807 000h	25°C, 24V, 5A, Ground Benign GB25

The **Lifetime expectancy** shown in the table indicates the operating hours (service life) and is determined by the lifetime expectancy of the built-in electrolytic capacitors. Lifetime expectancy is specified in operational hours. Lifetime expectancy is calculated according to the capacitor's manufacturer specification. The prediction model allows a calculation of up to 15 years from date of shipment.

MTBF stands for **Mean Time Between Failure**, which is calculated according to statistical device failures, and indicates reliability of a device. It is the statistical representation of the likelihood of a unit to fail and does not necessarily represent the life of a product.

PULS

DIMENSION CD-Series

CD5.241, CD5.241-S1

DC/DC Converter; 24V, 5A

12. FRONT SIDE AND USER ELEMENTS

Fig. 12-1
Front side CD5.241



Fig. 12-2
Front side CD5.241-S1



A Output Terminals

Screw terminals (Spring-clamp terminals on the CD5.241-S1)
Dual terminals per pole

- + Positive output
- Negative (return) output

B Input Terminals

Screw terminals (Spring-clamp terminals on the CD5.241-S1)

- + Positive input
- Negative (return) input

Chassis ground can be used to bond the housing to PE
Ground this terminal to minimize high-frequency emissions.

C Signal Terminals

Plug Connector for DC-OK and Input-low relay contact

D Output voltage potentiometer

Open the flap to set the output voltage. Factory set: 24.1V

E DC-OK LED (green) See also chapter 14

CD5.241: On when the voltage on the output terminals is > 21V
CD5.241-S1: Monitors the output voltage, which is produced by the power supply itself and is on when the voltage is higher than 90% of the adjusted output voltage.
DC-OK lamp and DC-OK contact functions are synchronized

F Input-low LED (yellow) See also chapter 15

On when the input voltage is between 4Vdc and 20Vdc..
Input-low LED and Input-low contact functions are synchronized

13. TERMINALS AND WIRING

	Input and output CD5.241	Input and output CD5.241-S1	Signals CD5.241-S1
Type	Screw terminals	Spring-clamp terminals	Plug-connector (screws)
Solid wire	0.5-6mm ²	0.5-6mm ²	0.2-1.5mm ²
Stranded wire	0.5-4mm ²	0.5-4mm ²	0.2-1.5mm ²
American wire gauge	20-10 AWG	20-10 AWG	22-14 AWG
Recommended tightening torque	1Nm, 9lb.in	-	0.4Nm / 3.5lb.in
Wire stripping length	7mm / 0.275inch	10mm / 0.4inch	6mm / 0.25inch

Instructions:

- a) Use appropriate copper cables that are designed for an operating temperature of:
60°C for ambient up to 45°C and
75°C for ambient up to 60°C minimum.
- b) Follow local and national installation codes and regulations!
- c) Ensure that all strands of a stranded wire enter the terminal connection!
- d) Up to two stranded wires with the same cross section are permitted in one connection point.
- e) Ferrules are allowed but not required
- f) In order to fulfill GL requirements, unused terminal spaces must be closed.

PULS

DIMENSION CD-Series

CD5.241, CD5.241-S1

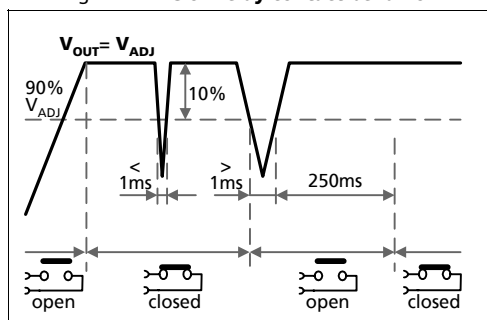
DC/DC Converter; 24V, 5A

14. DC-OK RELAY CONTACT (CD5.241-S1)

This feature is only available on the model CD5.241-S1 and monitors the output voltage, which is produced by the DC/DC converter itself. It is independent of a back-fed voltage from a unit which is connected in parallel to the DC/DC converter output. It is a "Normally Open" contact.

Contact closes	As soon as the output voltage reaches the adjusted output voltage.		
Contact opens	As soon as the output voltage dips more than 10% below the adjusted output voltage. Short dips will be extended to a signal length of 250ms. Dips shorter than 1ms will be ignored.		
Contact re-closes	As soon as the output voltage exceeds 90% of the adjusted voltage.		
Contact ratings	max	60Vdc 0.3A, 30Vdc 1A, 30Vac 0.5A	Resistive load
	min	1mA at 5Vdc	Minimum permissible load
Isolation voltage	See dielectric strength table in section 20		

Fig. 14-1 DC-ok relay contact behavior



Note:

The DC-ok feature requires that the output voltage reaches the nominal (=adjusted) level after turn-on in order to function according to specification. If this level cannot be achieved, the overload lamp will be on and the DC-ok contact will be open. The overload signal will only shut off as soon as the adjusted voltage is reached. This is an important condition to consider particularly, if the load is a battery, the DC/DC converter is used in parallel or the DC/DC converter is used for N+1 redundant systems.

15. INPUT-LOW RELAY CONTACT (CD5.241-S1)

This feature monitors the input voltage of the DC/DC converter. It is a "Normally Closed" contact.

Contact is closed	When the input voltage falls below 19.5Vdc (typ.)		
Contact opens	As soon as the input voltage reaches 20.5 Vdc (typ.)		
Contact ratings	max	60Vdc 0.3A, 30Vdc 1A, 30Vac 0.5A	Resistive load
	min	1mA at 5Vdc	Minimum permissible load
Isolation voltage	See dielectric strength table in section 20		

PULS

DIMENSION CD-Series

CD5.241, CD5.241-S1

DC/DC Converter; 24V, 5A

16. EMC

The CE mark indicates conformance with EMC directive 89/336/EC, 93/68/EC and 2004/108/EC and the low-voltage directive (LVD) 73/23/EC, 93/68/EC, 2006/95/EC. A detailed EMC Report is available on request.

EMC Immunity	EN 61000-6-2, EN 61000-6-1	Generic standards		
Electrostatic discharge	EN 61000-4-2	Contact discharge	8kV	Criterion A
		Air discharge	15kV	Criterion A
Electromagnetic RF field	EN 61000-4-3	80MHz-2.7GHz	10V/m	Criterion A
Fast transients (Burst)	EN 61000-4-4	Input lines	4kV	Criterion A
		Output lines	2kV	Criterion A
		Signal lines	2kV	Criterion A
Surge voltage on input	EN 61000-4-5	+ → -	1kV	Criterion A
		+ / - → chassis ground	2kV	Criterion A
Surge voltage on output	EN 61000-4-5	+ → -	500V	Criterion A
		+ / - → chassis ground	500V	Criterion A
Conducted disturbance	EN 61000-4-6	0,15-80MHz	10V	Criterion A

Criteria:

A: DC/DC converter shows normal operation behavior within the defined limits.

C: Temporary loss of function is possible. DC/DC converter might shut-down and restarts by itself. No damage or hazards will occur to the DC/DC converter.

EMC Emission	EN 61000-6-3, EN 61000-6-4	Generic standards		
Conducted emission	IEC/CISPR 16-1-2, IEC/CISPR 16-2-1	Class B, Input lines (Limits for DC power ports)		
Radiated emission	EN 55011, EN 55022	Class B		

This device complies with FCC Part 15 rules.

Operation is subjected to the following two conditions: (1) this device may not cause harmful interference, and (2) this device must accept any interference received, including interference that may cause undesired operation.

Switching frequency

90kHz to 135kHz (Output current > 0.5A)

Input voltage and output current dependent

PULS

DIMENSION CD-Series

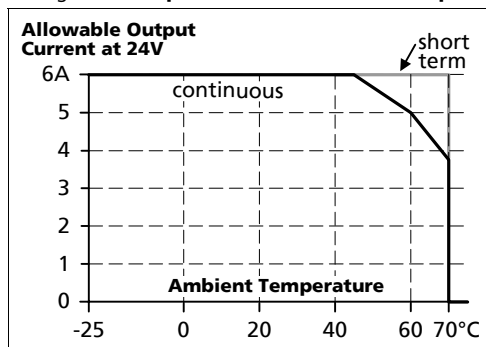
CD5.241, CD5.241-S1

DC/DC Converter; 24V, 5A

17. ENVIRONMENT

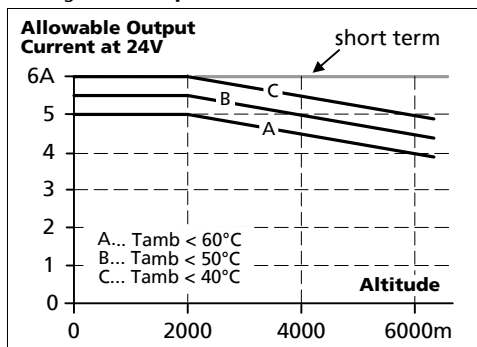
Operational temperature	-25°C to +70°C (-13°F to 158°F)	Reduce output power according to Fig. 17-1
Output de-rating	1.6W/°C 3W/°C	45-60°C (113°F to 140°F), see Fig. 17-1 60-70°C (140°F to 158°F), see Fig. 17-1
Storage temperature	-40 to +85°C (-40°F to 185°F)	During storage and transportation
Humidity	5 to 95% r.H.	IEC 60068-2-30 Do not energize while condensation is present
Vibration sinusoidal	2-17.8Hz: ±1.6mm; 17.8-500Hz: 2g 2 hours / axis	IEC 60068-2-6
Shock	30g 6ms, 20g 11ms 3 bumps / direction, 18 bumps in total	IEC 60068-2-27
Altitude	0 to 6000m (0 to 20000ft)	Reduce output power or ambient temperature above 2000m sea level.
Output de-rating (for altitude)	7.5W/1000m or 5°C/1000m	Above 2000m (6500ft), see Fig. 17-2
Over-voltage category	III II	EN 50178, altitudes up to 2000m Altitudes from 2000m to 6000m
Degree of pollution	2	EN 50178, non conductive

Fig. 17-1 Output current vs. ambient temp.



The ambient temperature is defined 2cm below the unit.

Fig. 17-2 Output current vs. altitude, 24V



18. PROTECTION FEATURES

Output protection	Electronically protected against overload, no-load and short-circuits	
Output over-voltage protection	typ. 31Vdc max. 32Vdc	In case of an internal DC/DC converter fault, a redundant circuit limits the maximum output voltage. The output shuts down and automatically attempts to restart.
Reverse input polarity protection	Included	Unit does not start when input voltage is reversed
Output over-current protection	electronically limited	See Fig. 7-1
Degree of protection	IP 20	EN/IEC 60529
Penetration protection	> 3.5mm	E.g. screws, small parts
Over-temperature protection	Yes	Output shut-down with automatic restart
Input transient protection	MOV	Metal Oxide Varistor
Internal input fuse	T10A H.B.C.	Not user replaceable

An audible noise may be heard during a no load, overload or short circuit event.

PULS

DIMENSION CD-Series

CD5.241, CD5.241-S1

DC/DC Converter; 24V, 5A

19. SAFETY

Input / output separation	SELV PELV Double or reinforced insulation, Max. allowed voltage between any input pin and ground: 60Vdc or 42.4Vac	IEC/EN 60950-1 EN 60204-1, EN 50178, IEC 60364-4-41
Class of protection	II	PE (Protective Earth) connection not required
Isolation resistance	> 5MΩ	Input to output, 500Vdc
Chassis Ground resistance	< 0.1Ω	Between housing and Chassis Ground terminal
Touch current (leakage current)	The leakage current which is produced by the DC/DC converter itself depends on the input voltage ripple and need to be investigated in the final application. For a smooth DC input voltage, the produced leakage current is less than 100µA.	

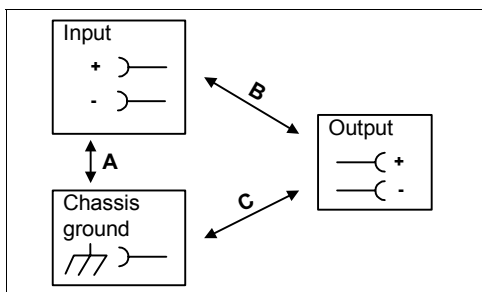
20. DIELECTRIC STRENGTH

The output voltage is floating and has no ohmic connection to ground.

To fulfill the PELV requirements according to EN60204-1 § 6.4.1, it is recommend that either the + pole, the – pole or any other part of the output circuit shall be connected to the protective earth system. This helps to avoid situations in which a load starts unexpectedly or can not be switched off any more when an unnoticed earth faults occur.

CD5.241:

Fig. 20-1 Dielectric strength



		A	B	C
Type test	60s	1500Vac	1500Vac	500Vac
Factory test	5s	1500Vac	1500Vac	500Vac
Field test	5s	1000Vac	1000Vac	500Vac

Type tests and factory tests:

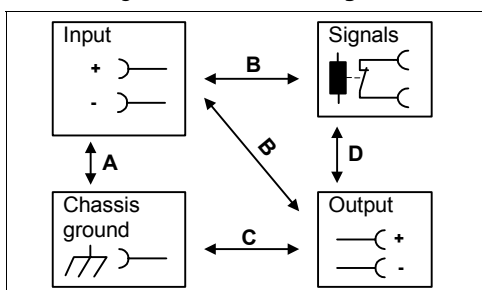
Conducted by the manufacturer. Do not repeat test in field!

Rules for field test:

Use appropriate test equipment which applies the voltage with a slow ramp! Connect all input poles together as well as all output poles.

CD5.241-S1:

Fig. 20-2 Dielectric strength



		A	B	C	D
Type test	60s	1500Vac	1000Vac	500Vac	500Vac
Factory test	5s	1500Vac	1000Vac	500Vac	500Vac
Field test	5s	1000Vac	1000Vac	500Vac	500Vac

Type tests and factory tests:

Conducted by the manufacturer. Do not repeat test in field!

Rules for field test:

Use appropriate test equipment which applies the voltage with a slow ramp! Connect all input poles together as well as all output poles.

PULS

DIMENSION CD-Series

CD5.241, CD5.241-S1

DC/DC Converter; 24V, 5A

21. APPROVALS

IEC 60950-1



CB Scheme,
Information Technology Equipment

UL 508



LISTED E198865
Industrial Control Equipment

UL 60950-1



RECOGNIZED E137006 recognized for the use in U.S.A. (UL 60950-1) and Canada (C22.2 No. 60950)
Information Technology Equipment, Level 3

UL 1604
pending



RECOGNIZED E246877 recognized for use in U.S.A. (UL 1604) and Canada (C22.2 No. 213-M1987)
Hazardous Location Class I Div 2 T4 Groups A,B,C,D and Class I Zone 2 Groups IIA, IIB and IIC

The unit is suitable for use in Class I Division 2 Groups A, B, C, D locations as well as for Class I Zone 2 Groups IIA, IIB and IIC locations. Substitution of components may impair suitability for Class I Division 2 environment. Do not disconnect equipment unless power has been switched off. Wiring must be in accordance with Class I, Division 2 wiring methods of the National Electrical Code, NFPA 70, and in accordance with other local or national codes.

CSA



CSA approval for Canada
CAN/CSA C22.2 No 107-1; CAN/ CSA 60950-1-03; UL60950-1

Marine



GL (Germanischer Lloyd) classified and ABS (American Bureau for Shipping) PDA for marine and offshore applications.
Environmental category: C, EMC2

22. FULFILLED STANDARDS

EN 61558-2-17	Safety of Power Transformers
EN/IEC 60204-1	Safety of Electrical Equipment of Machines
EN/IEC 61131-2	Programmable Controllers
EN 50178, IEC 62103	Electronic Equipment in Power Installations

23. USED SUBSTANCES

The unit does not release any silicone and is suitable for the use in paint shops.

The unit conforms to the RoHS directive 2002/96/EC

Electrolytic capacitors included in this unit do not use electrolytes such as Quaternary Ammonium Salt Systems.

Plastic housings and other molded plastic materials are free of halogens, wires and cables are not PVC insulated.

The materials used in our production process do not include the following toxic chemicals:
Polychlorinated Biphenyl (PCB), Pentachlorophenol (PCP), Polychlorinated naphthalene (PCN), Polybrominated Biphenyl (PBB), Polybrominated Biphenyl Oxide (PBO), Polybrominated Diphenyl Ether (PBDE), Polychlorinated Diphenyl Ether (PCDE), Polybrominated Diphenyl Oxide (PBDO), Cadmium, Asbestos, Mercury, Silica

PULS

DIMENSION CD-Series

CD5.241, CD5.241-S1

DC/DC Converter; 24V, 5A

24. PHYSICAL DIMENSIONS AND WEIGHT

Weight	425g / 0.94lb	CD5.241
	450g / 0.99lb	CD5.241-S1
DIN-Rail	Use 35mm DIN-rails according to EN 60715 or EN 50022 with a height of 7.5 or 15mm. The DIN-rail height must be added to the depth (102mm) to calculate the total required installation depth.	

Electronic files with mechanical data can be downloaded at www.pulspower.com

Fig. 24-1
CD5.241
Front view

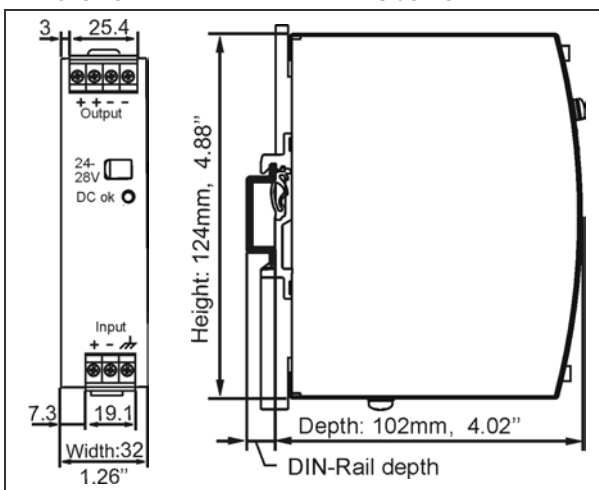


Fig. 24-2
CD5.241
Side view

Fig. 24-3
CD5.241-S1
Front view

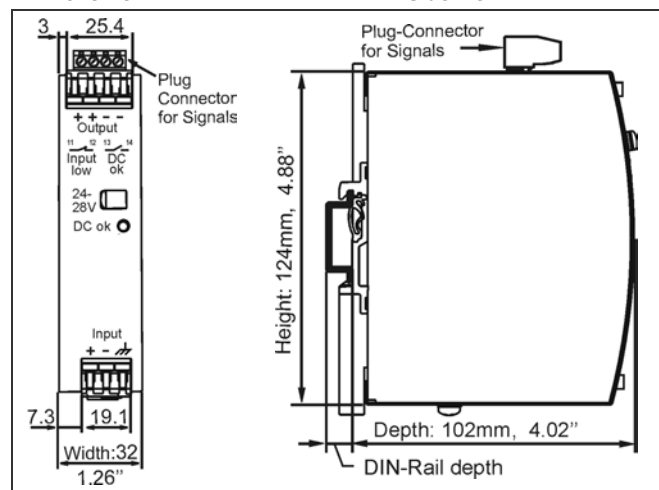


Fig. 24-4
CD5.241-S1
Side view

25. INSTALLATION AND OPERATION INSTRUCTIONS

Mounting:

Output terminal must be located on top and input terminal on the bottom. For other orientations see chapter 27.13. An appropriate electrical and fire end-product enclosure should be considered in the end use application.

Cooling:

Convection cooled, no forced cooling required. Do not cover ventilation grill (e.g. cable conduits) by more than 30%!

Installation clearances:

40mm on top, 20mm on the bottom, 5mm on the left and right side are recommended when loaded permanently with full power. In case the adjacent device is a heat source, 15mm clearance are recommended.

Risk of electrical shock, fire, personal injury or death!

Turn power off before working on the DC/DC converter. Protect against inadvertent re-powering.

Make sure the wiring is correct by following all local and national codes.

Do not open, modify or repair the unit.

Use caution to prevent any foreign objects from entering into the housing.

Do not use in wet locations or in areas where moisture or condensation can be expected.

Supplying source, supplying network:

The inductance and resistance of the supplying network shall be below in Fig. 27-9 in chapter 27.10 to avoid resonant effects on the input terminals. Please also check chapter 27.10.

Service parts:

The unit does not contain any service parts. The tripping of an internal fuse is caused by an internal fault. If damage or malfunctioning should occur during operation, immediately turn power off and send unit to the factory for inspection!

PULS

DIMENSION CD-Series

CD5.241, CD5.241-S1

DC/DC Converter; 24V, 5A

26. ACCESSORY

ZM1.WALL Wall mounting bracket

This bracket is used to mount specific Dimension units onto a flat surface without utilizing a DIN-Rail. The two aluminum brackets and the black plastic slide of the unit have to be removed, so that the two steel brackets can be mounted.

(Please note: Picture shows a different unit)

Fig. 26-1 **ZM1.WALL Wall Mounting Bracket**

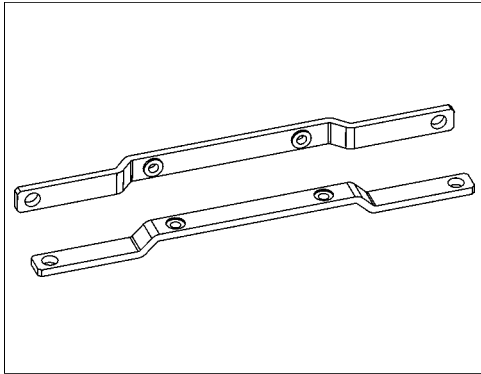
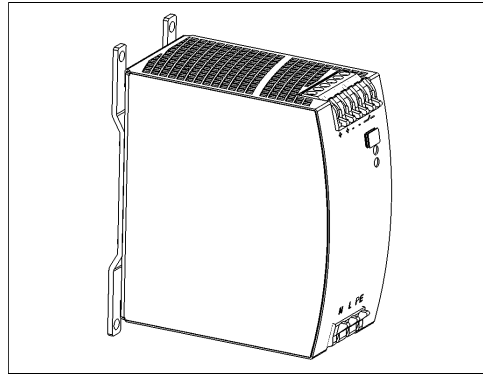


Fig. 26-2 **Assembled Wall Mounting Bracket**



ZM11.SIDE Side mounting bracket

This bracket is used to mount specific Dimension units sideways with or without utilizing a DIN-Rail. The two aluminum brackets and the black plastic slide of the unit have to be removed, so that the steel bracket can be mounted.

For sideways DIN-rail mounting, the removed aluminum brackets and the black plastic slide need to be reinstalled on the steel bracket.

(Please note: Pictures show a different unit)

Fig. 26-3 **ZM11.SIDE Side Mounting Bracket**

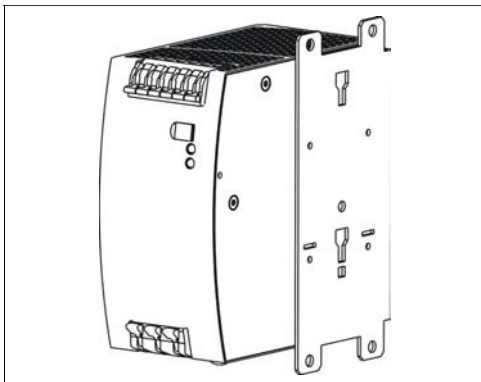
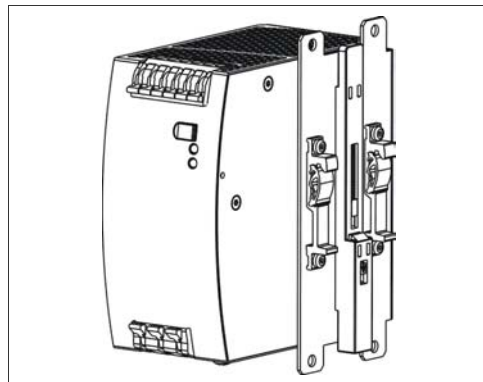


Fig. 26-4 **Side Mounting with DIN-rail brackets**



PULS

DIMENSION CD-Series

CD5.241, CD5.241-S1

DC/DC Converter; 24V, 5A

27. APPLICATION NOTES

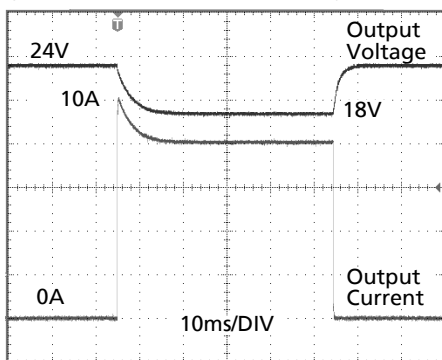
27.1. PEAK CURRENT CAPABILITY

Solenoids, contactors and pneumatic modules often have a steady state (sealed) coil and a pick-up coil. The inrush current demand of the pick-up coil is several times higher than the steady state current and usually exceeds the nominal output current (including the PowerBoost) The same situation applies, when starting a capacitive load.

Branch circuits are often protected with circuit breakers or fuses. In case of a short or an overload in the branch circuit, the fuse needs a certain amount of over-current to trip or to blow. The peak current capability ensures the safe operation of subsequent circuit breakers.

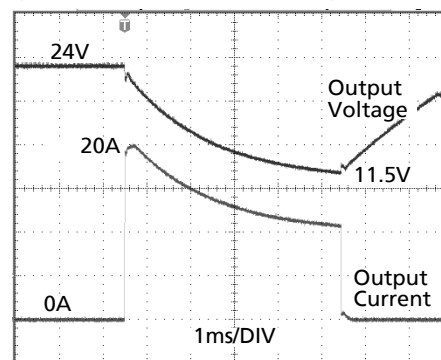
Assuming the input voltage is turned on before such an event, the built-in large sized output capacitors inside the DC/DC converter can deliver extra current. Discharging this capacitor causes a voltage dip on the output. The following two examples show typical voltage dips:

Fig. 27-1 Peak load 10A for 50ms, typ.



Peak load 10A (resistive) for 50ms
Output voltage dips from 24V to 18V.

Fig. 27-2 Peak load 20A for 5ms, typ.



Peak load 20A (resistive) for 5ms
Output voltage dips from 24V to 11.5V.

27.2. BACK-FEEDING LOADS

Loads such as decelerating motors and inductors can feed voltage back to the DC/DC converter. This feature is also called return voltage immunity or resistance against Back- E.M.F. (Electro Magnetic Force).

This DC/DC converter is resistant and does not show malfunctioning when a load feeds back voltage to the DC/DC converter. It does not matter, whether the DC/DC converter is on or off.

The maximum allowed feed back voltage is 30Vdc. The absorbing energy can be calculated according to the built-in large sized output capacitor which is specified in chapter 7.

27.3. INDUCTIVE AND CAPACITIVE LOADS

The unit is designed to supply any kind of load, including unlimited capacitive and inductive loads.

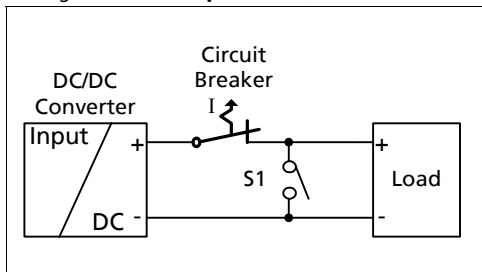
27.4. OUTPUT CIRCUIT BREAKERS

Standard miniature circuit breakers (MCBs or UL1077 circuit breakers) can be used for branch circuit protection. Ensure that the MCB is also rated for DC voltage. The following tests show which circuit breakers the DC/DC converter typically trips.

Circuit breakers have huge tolerances in their tripping behavior, therefore, these typical tests can only be used as a recommendation or for comparing two different DC/DC converters. Furthermore, the loop impedance has a major influence on whether a breaker trips or not. Two tests were performed, representing typical situations:

Test 1: Short circuit with S1 on the DC/DC converter end of the cable (loop impedance approx. 20mOhm)

Fig. 27-3 Branch protectors, test circuit 1



Parameters:

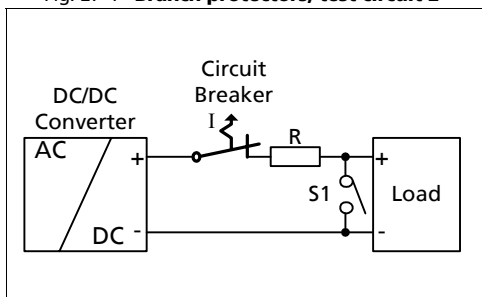
Input voltage: 24Vdc, load current: 0A

The following circuit breaker tripped during the test:

- A- or Z- Characteristic:** equal or smaller 8A *)
- B- Characteristic:** no tripping $\geq 6A$ *)
no breaker available $< 6A$
- C- Characteristic:** equal or smaller 3A *)

Test 2: Short circuit with S1 on the load end (additional impedance included; represents longer load wire length).

Fig. 27-4 Branch protectors, test circuit 2



Parameters:

Input voltage: 24Vdc, load current: 0A

The following circuit breaker tripped during the test:

- A- or Z- Characteristic:** $\leq 6A$ and $R = 180m\Omega$ *)
- B- Characteristic:** no tripping $\geq 6A$ *)
no breaker available $< 6A$
- C- Characteristic:** $\leq 3A$ and $R = 270m\Omega$ *)

What does this resistance mean in wire length?

	0.5mm ²	0.7mm ²	1.0mm ²	1.5mm ²	2.5mm ²	4.0mm ²
180mOhm	5.0m	7.0m	10m	15m	25m	40m
270mOhm	7.5m	10.5m	15m	23m	38m	60m

*) A list of the circuit breakers under test is available on request.

Example:

Which wire gauge must be used to trip a C-Characteristic circuit breaker with a rating of 3A? The load wire length is 21m.

Answer: A 3A C-Characteristic circuit breaker requires a loop impedance of less than 270mOhm (test results). The wire length table shows that up to 23m wire with a cross section of 1.5mm² are below 270mOhm. A wire not smaller than 1.5mm² shall be used.

PULS

DIMENSION CD-Series

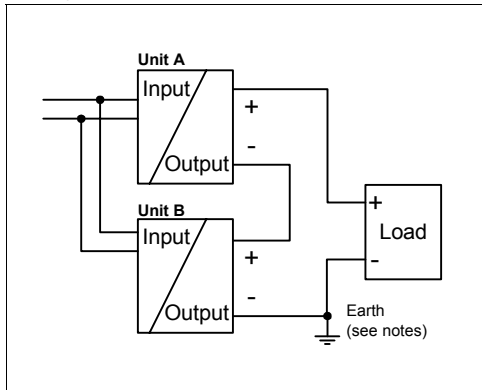
CD5.241, CD5.241-S1

DC/DC Converter; 24V, 5A

27.5. SERIES OPERATION

DC/DC converters can be connected in series to increase the output voltage.

Fig. 27-5 Schematic for series operation



Instructions for use in series:

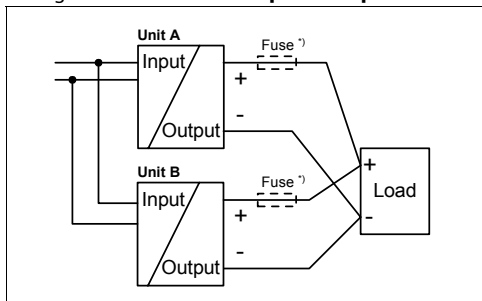
- It is possible to connect as many units in series as needed, providing the sum of the output does not exceed 150Vdc.
- Voltages with a potential above 60Vdc are not SELV any more and can be dangerous. Such voltages must be installed with a protection against touching.
- For serial operation use DC/DC converters of the same type.
- Earthing of the output is required when the sum of the output voltage is above 60Vdc.
- Keep an installation clearance of 15mm (left/right) between two DC/DC converters and avoid installing the DC/DC converters on top of each other.

Note: Avoid return voltage (e.g. from a decelerating motor or battery) which is applied to the output terminals.

27.6. PARALLEL USE TO INCREASE OUTPUT POWER

Several DC/DC converter can be paralleled to increase the output power.

Fig. 27-6 Schematic for parallel operation



Instructions for parallel use:

- Use only DC/DC converters from the same series (C-Series) or consult PULS.
- Adjust the output voltages of all power supplies to approximately the same value ($\pm 200\text{mV}$).
- A fuse (or diode) on the output is only required if more than three units are connected in parallel.
- Do not load terminals with more than 25A. Follow wiring instructions according to chapter 27.7
- Ensure that the ambient temperature of the power supply does not exceed 45°C.

27.7. DAISY CHAINING OF OUTPUTS

Daisy chaining (jumping from one power supply output to the next) is allowed as long as the maximum current through one terminal pin does not exceed 25A. If the current is higher, use a separate distribution terminal block.

Fig. 27-7 Daisy chaining of outputs

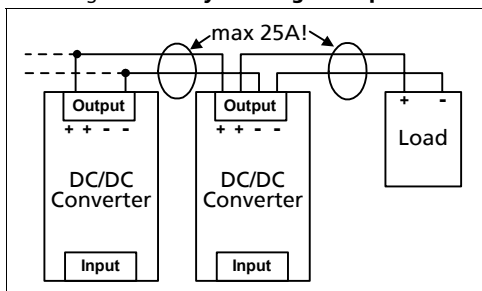
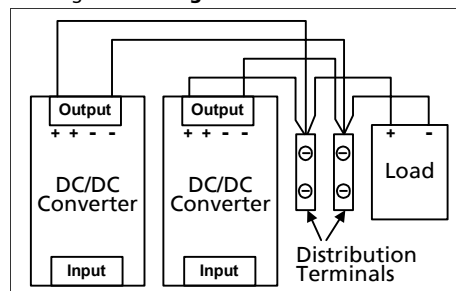


Fig. 27-8 Using distribution terminals



PULS

DIMENSION CD-Series

CD5.241, CD5.241-S1

DC/DC Converter; 24V, 5A

27.8. PARALLEL USE FOR 1+1 REDUNDANCY

DC/DC converters can be paralleled for 1+1 redundancy to gain a higher system availability. Redundant systems require a certain amount of extra power to support the load in case one DC/DC converter unit fails. The simplest way is to put two DC/DC converters in parallel. In case one converter fails, the other one is automatically able to support the load current without any interruption.

Furthermore, redundant systems can be built by using a DC/DC converter powered from a battery and a power supply with AC input.

- Use the decoupling module YR2.DIODE in combination with two CD5.241-S1 and use the DC-OK signals of the DC/DC converter to monitor a faulty unit or input voltage.
- Use the redundancy module YRM2.DIODE in combination with two CD5.241 and use the DC-OK signals of the redundancy module to monitor a faulty unit or input voltage.

Recommendations for building redundant power systems:

- a) Use separate input fuses for each DC/DC converter.
- b) Monitor the individual voltage sources of a redundant system. A DC-ok lamp and a DC-ok contact is included in the redundancy module YRM2.DIODE and the DC/DC converter CD5.241-S1. This feature reports a faulty unit.
- c) When possible, connect each DC/DC converter to different power sources.

27.9. CHARGING OF BATTERIES

The power supply can be used for float-charging of lead-acid or maintenance free 24V VRLA batteries.

Instructions for charging batteries:

- a) Ensure that the ambient temperature of the power supply does not exceed 50°C.
- b) Set the output voltage on a disconnected load, very precisely to the end-of-charge voltage according to the expected battery temperature.

End-of-charge voltage	27.8V	27.5V	27.15V	26.8V
Battery temperature	10°C	20°C	30°C	40°C

- c) Use a 6A or 10A circuit breaker (or blocking diode) between the power supply and the battery.
- d) Ensure that the output current of the power supply is below the allowed charging current of the battery.
- e) Use only matched batteries when putting 12V types in series.
- f) The return current to the power supply is typ. 26.4mA at 25Vdc when the power supply is switched off (except in case a blocking diode is utilized).

PULS

DIMENSION CD-Series

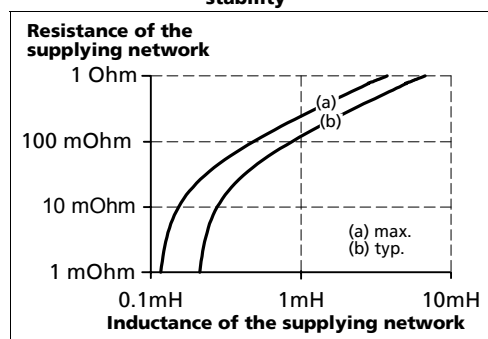
CD5.241, CD5.241-S1

DC/DC Converter; 24V, 5A

27.10. REQUIREMENTS FOR THE SUPPLYING SOURCE

In certain circumstances, the input filter of the DC/DC converter can show a resonant effect which is caused by the supplying network. Especially when additional external input filters are utilized, a superimposed AC voltage can be generated on the input terminals of the DC/DC converter which might cause a malfunction of the unit. Therefore, additional input filters are not recommended. To avoid the resonant effects, the minimal resistance of the supplying network which depends on the inductance of the input network, shall be above the boundary curve in Fig. 27-9.

Fig. 27-9 **Requirements for an input filter stability**



27.11. EXTERNAL INPUT PROTECTION

The unit is tested and approved for branch circuits up to 50A. External protection is only required if the supplying branch has an ampacity greater than this. In some countries local regulations might apply so check local codes and local requirements.

If an external fuse is necessary or utilized, a minimum value is required to avoid undesired tripping of the fuse.

		B-Characteristic	C-Characteristic
Ampacity	max.	50A	50A
	min.	10A	8A

27.12. USE IN A TIGHTLY SEALED ENCLOSURE

When the DC/DC converter is installed in a tightly sealed enclosure, the temperature inside the enclosure will be higher than the outside. The inside temperature defines the ambient temperature for the DC/DC converter.

Results from such an installation:

DC/DC converter is placed in the middle of the box, no other heat producing equipment inside the box

Enclosure: Rittal Type IP66 Box PK 9516 100, plastic, 110x180x165mm

Load: 24V, 4A; (=80%) load is placed outside the box

Input: 24Vdc

Temperature inside the box: 42.8°C

(in the middle of the right side of the DC/DC converter with a distance of 2cm)

Temperature outside the box: 24.0°C

Temperature rise: 28.8K

27.13. MOUNTING ORIENTATIONS

Mounting orientations other than input terminals on the bottom and output on the top requires a reduction in continuous output power or a limitation in the maximum allowed ambient temperature. The amount of reduction influences the lifetime expectancy of the DC/DC converter. Therefore, two different derating curves for continuous operation can be found below:

Curve A1 Recommended output current.

Curve A2 Max allowed output current (results approx. in half the lifetime expectancy of A1).

Fig. 27-10

Mounting Orientation A
Standard Orientation

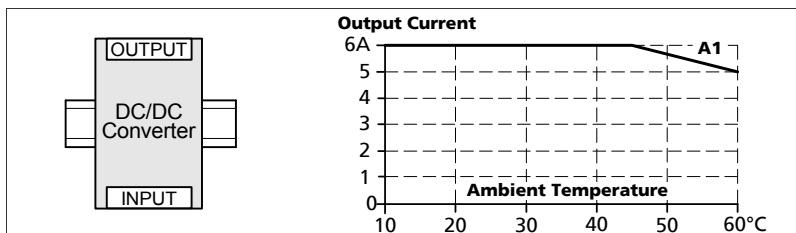


Fig. 27-11

Mounting Orientation B
(Upside down)

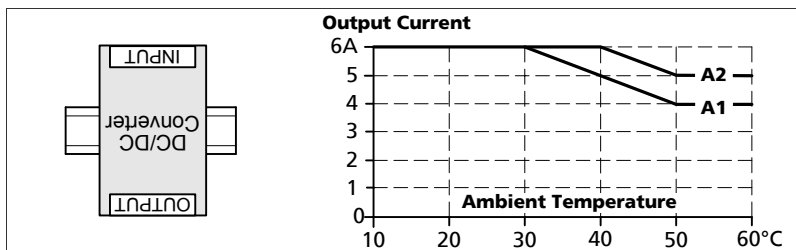


Fig. 27-12

Mounting Orientation C
(Table-top mounting)

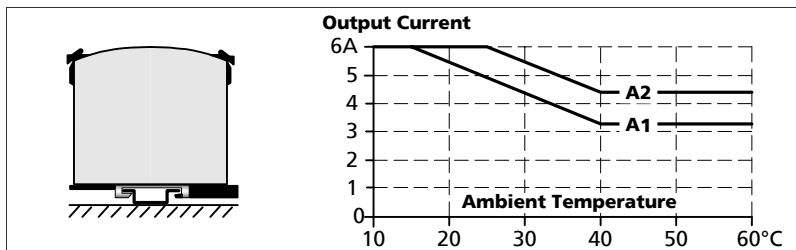


Fig. 27-13

Mounting Orientation D
(Horizontal cw)

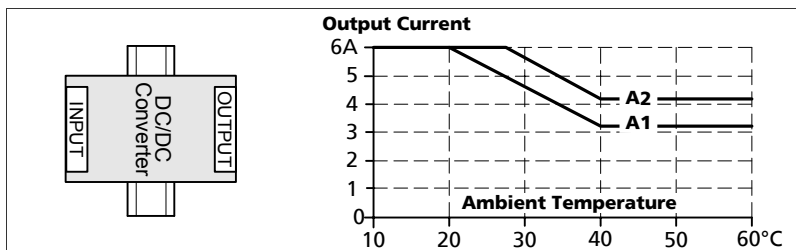


Fig. 27-14

Mounting Orientation E
(Horizontal ccw)

