



Single-Axis Motion Control

Aries Controller Single-Axis Servo Drive/Controller

Features

- 7 onboard inputs (4 standard, 3 high speed), 4 outputs
- Advanced Multitasking of up to 16 simultaneous programs
- Integrated 2 port Ethernet hub
- ACRView Software Development Kit
- Rotary or linear servo motor control
- 3, 4.5 and 6.3 A RMS continuous current
- 120/240 VAC power input
- Multiple feedback options –
Smart encoder, quadrature encoder, Heidenhain EnDat absolute encoder
- Auto-tuning
- CE (EMC & LVD), UL Recognized

The Aries Controller single-axis servo drive delivers a wide range of standalone capabilities. The Aries Controller combines the performance benefits of the Aries digital servo drive with the industry-leading ACR9000 controller platform. With Ethernet connectivity, onboard I/O, and easy-to-use project development tools, commissioning single-axis motion is simple and efficient.

The Aries Controller combines the powerful features of the ACR Controller with the Aries digital servo drive for a complete stand-alone servo solution in one small package.

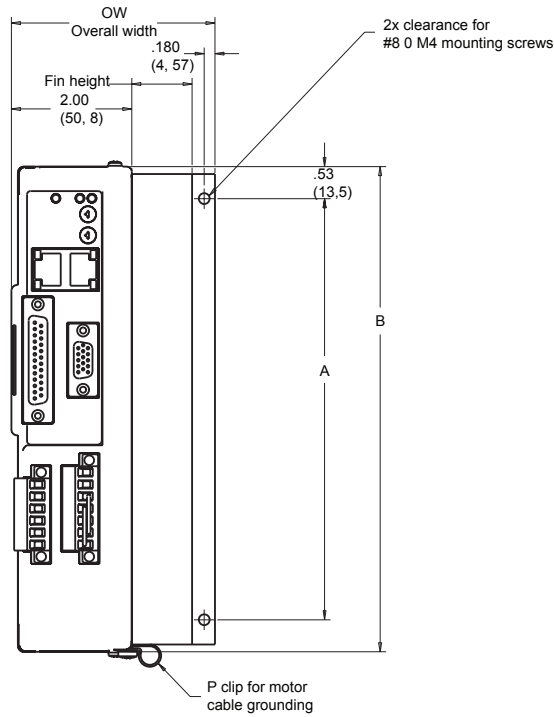
Powerful single-axis motion capabilities

Leveraging the industry-leading performance of the ACR9000 motion platform in a single-axis form factor, the Aries Controller contains motion and programming capabilities far beyond its peers. From multitasking programmability to encoder-based following with real-time phase advance, the Aries Controller is the highest-performance single-axis controller in its class.

- Multitasking of up to 16 simultaneous programs
- Position, velocity and torque control
- Incremental or absolute motion
- Trapezoidal or segmented move profiles
- On-the-fly motion parameter changes
- Linear and S-curve accelerations
- On-board programmable limit switches
- High-speed (1us) position capture registers
- Registration moves
- Indexing moves
- Electronic gearing with real-time phase advance



Aries Controller Dimensions



| Aries Controller Dimensions | | | | | | |
|-----------------------------|---------------|---------------|-----------------------|-------------------------------|--------------------------|--------------------------------------|
| Drive | A- in (mm) | B- in (mm) | Fin Height in (mm) | Overall Width (OW) in (mm) | Overall Depth in (mm) | Overall Depth with Cables in (mm) |
| AR-04 | 7.00 (177,8) | 8.07 (204,9) | 0.625 (15,9) | 3.01 (76,3) | 5.35 (135,9) | 7.90 (200,7) |
| AR-08 | 7.00 (177,8) | 8.07 (204,9) | 1.000 (25,4) | 3.38 (85,9) | 5.35 (135,9) | 7.90 (200,7) |
| AR-13 | 7.00 (177,8) | 8.07 (204,9) | 2.00 (50,8) | 4.38 (101,3) | 5.35 (135,9) | 7.90 (200,7) |

Aries Controller Part Numbering System

