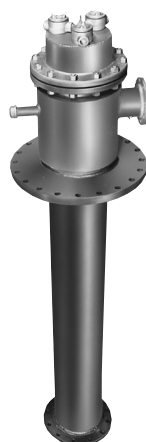


SHO

Suction Heater – Asphalt & Fuel Oil Applications

- 10" Carbon Steel Pipe Body and Heater Flange, 150 Lb Construction (Pipe Sizes from 5 - 20" available)
- 18" 150 Lb ANSI B16.5 Tank Mounting Flange Matched to 10" Pipe Body (Mating Flanges from 10 - 30" available)
- 30 - 40kW (10 - 200KW available)
- 240 and 480V, Three Phase (Up to 600V available)
- Moisture Resistant and Explosion Resistant Terminal Enclosure
- 0.475" Dia. Steel Sheath Low Watt Density Elements (5 W/In²)



Applications

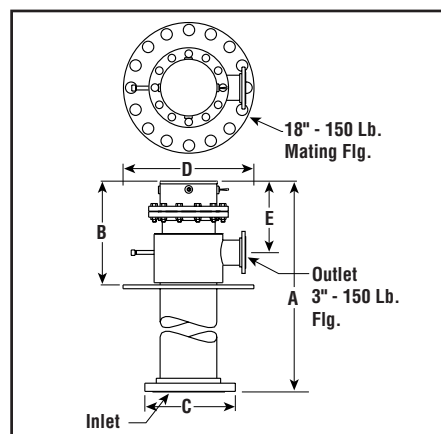
Heating of viscous materials, in large storage tanks, to pumping temperatures. Maintaining an entire tank of viscous fluids such as fuel oil or asphalt at pumping temperatures is very costly. In many applications it is not practical or economical because the tanks are located underground or are not insulated.

Type SHO Suction Oil Heaters are a cost-effective solution to this problem. Suction heaters are specifically designed to heat only that amount of material that is to be pumped from a large storage tank. The outlet nozzle is attached to the pump suction. The heater heats the material inside the heater pipe body which is then drawn through the heater into the suction side of the pump. This technique saves substantial energy costs since it is not necessary to heat the entire contents of the tank to draw off relatively small amounts of viscous materials.

Complete weather-proof construction makes these heaters perfect for installation in large outdoor storage tanks. Large heater inlet provides smooth, full-flow through the heater.

Dimensions (Inches)

SHO



Features

Terminal Enclosure — SHO circulation heaters are designed to be installed outdoors in exposed areas. Enclosures are designed to be Moisture Resistant or Moisture and Explosion Resistant.

Low Watt Density Elements make the heaters safe to use on most viscous liquids. Carbonization is minimized.

Vessel — Pipe body and nozzles are galvanized ASTM A53B carbon steel pipe. Heater and mounting flanges are ANSI B16.5 150 Lb galvanized carbon steel. Assembly provided with thermal insulation and painted sheet metal jacket.

Thermostats and High Limit Controls — SHO suction heaters should be provided with temperature controls to control fluid outlet temperatures and limit internal temperatures under abnormal or no-flow conditions. Depending on customer specifications, SHO heaters may be supplied with factory equipped AR thermostats, high limit cutouts or other Chromalox controls.

Control Panels — Integral or remote mounted control panels with electronic controls and solid state (SCR) or contactor power controllers can be provided using virtually any combination of control devices. Consult the Controls section for details.

Specifications and Ordering Information

kW	Volts	Ckt & Phase	Dimensions (In.)					Model	Stock	PCN	Wt. (Lbs.)
			A	B	C	D	E				
30	240/480	3-3	100-7/8	31-1/2	16	25	19	SHO-10-2730F1	NS	—	800
35	240/480	3-3	114-7/8	31-1/2	16	25	19	SHO-10-2735F1	NS	—	865
40	240/480	3-3	126-1/8	31-1/2	16	25	19	SHO-10-2740F1	NS	—	945

Stock Status: S = stock AS = assembly stock NS = non-stock
To Order—Specify model, volts, phase, kW, PCN and quantity.

Note — It is recommended that a butterfly valve with a worm gear assembly be installed on the intake flange for ease of maintenance or replacement of the heater assembly. Contact your Local Chromalox Sales office for assistance.



More Information is Available Online on Tank Heating.

Bookmark Your Browser to www.chromalox.com and Select Manuals.